

Installation Guide

10" Kiosk with Podium



SPECIFICATIONS

Kiosk Dimensions

180mm (w) x 270mm (h) x 30mm (d)

Podium Dimensions

Base: 350mm x 350mm

Tube: 40mm x 940mm

Overall Dimensions

300mm (w) x 330mm (h) x 200mm (d)

Connectivity

Ethernet connection

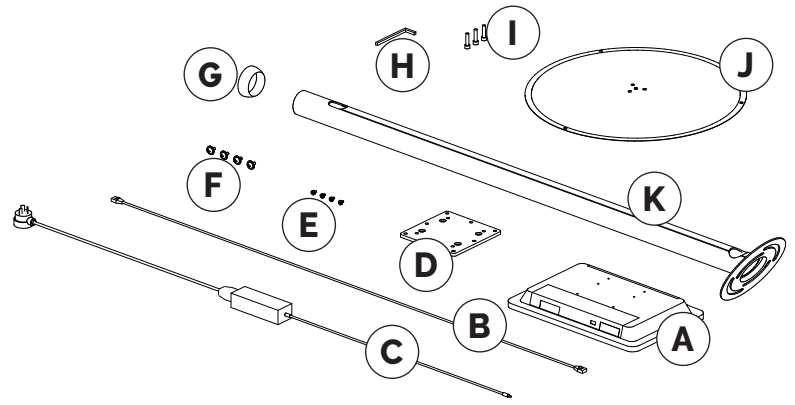
Power

240V

19V 21A power adapter

EQUIPMENT LIST

- A. 10" Chromebase Kiosk
- B. 3m Ethernet cable
- C. Weighted base.
- D. Power supply consisting of '1x IEC C5 cloverleaf power cable' and '1x 12v adaptor'.
- E. 115mm(sq) Alloy adaptor plate
- F. M4x5 Philips screws
- G. M6x10 Philips screws & washers
- H. 5mm Allen key
- I. M6x20 Socket screws

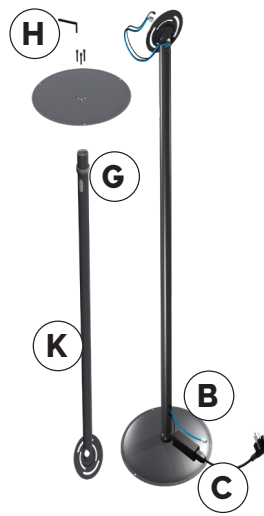


- J. 350mm(dia) Podium base
- K. 940mm(l) x 40mm(dia) Podium tube

MOUNTING THE KIOSK ONTO THE PODIUM

1

Slide the plastic cover (G) onto the tube (K) with the thin end of the cover facing the angled mounting bracket. Using the allen key (H) fix the podium base (J) to the tube (K) with the 3 socket screws (I). The 12V cable of the power pack (C) and the ethernet cable (B) can now be fed through the slot in the base of the tube and out from the top leaving appx 300mm of slack.



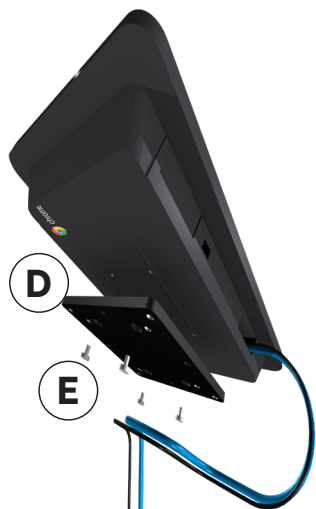
2

Remove the IO cover on the rear of the kiosk (A) and connect the 12v power cable (C) and the ethernet cable (B) into their ports. Replace the IO cover and use the folding tabs to manage the cables.



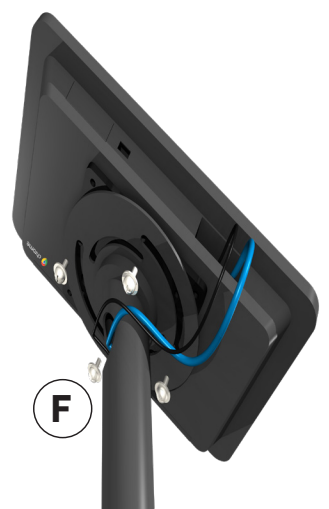
3

Install the alloy adaptor plate (D) to the kiosk back using the 4 Philips heads screws (E). Ensure the adaptor plate has the screws holes in a portrait orientation with the counterbores facing out.



4

The kiosk can now be fixed to the podium using the 4 Philips heads screws with washers (F). Feed any excess cabling into the tube.



NEED ASSISTANCE?

Nightlife's crowdDJ® Kiosks are a great addition to any venue. For any questions about the installation or positioning of your podium mounted Kiosk, your Relationship Manager will be available to help.